



POWERSPORTS BATTERY Maintenance-Free AGM Battery Series

CTX20CH-BS 12V 18AH(10HR)

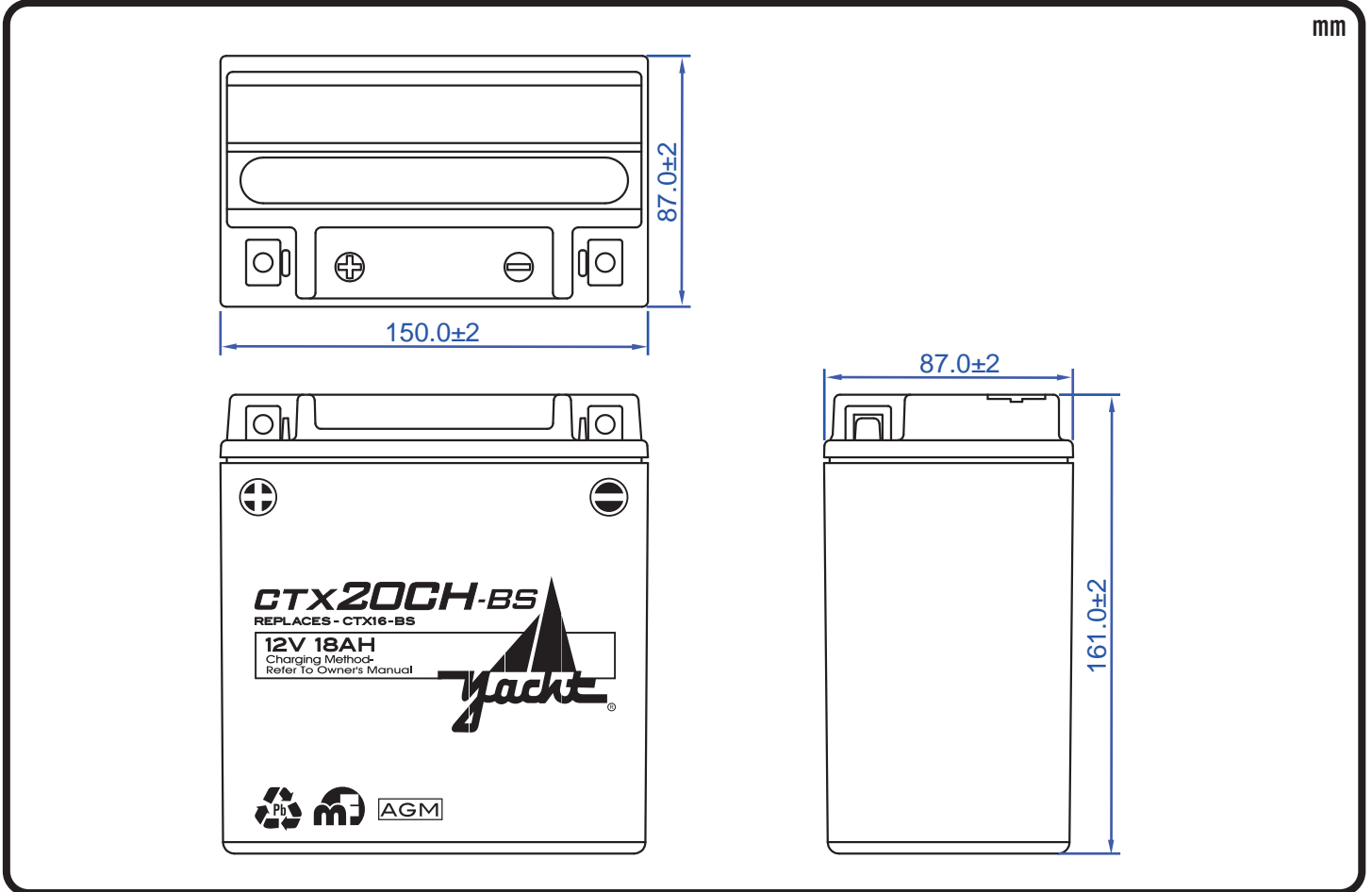


JIS D5302

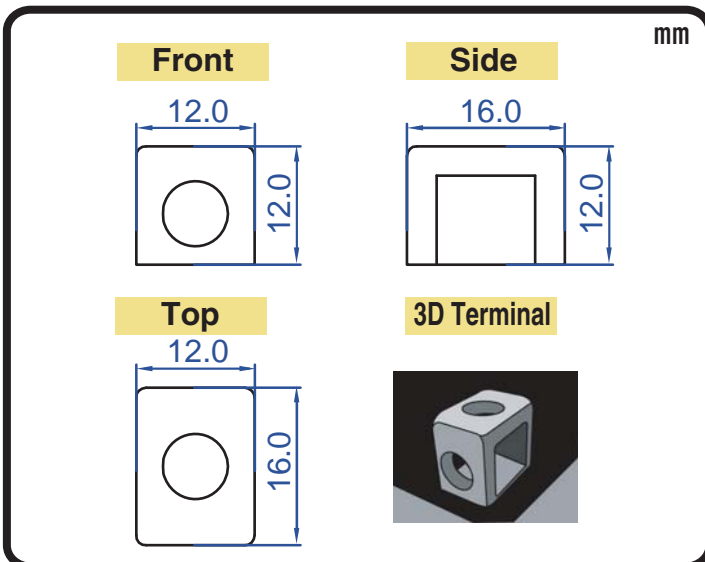
Specification

| BATTERY TYPE NUMBER | VOLTAGE (V) | CAPACITY AH (10HR) | CCA @-18°C | MAXIMUM DIMENSIONS | | | | | | WEIGHT | | | |
|---------------------|-------------|--------------------|------------|--------------------|----|-----|-------------------|--------|--------|--------------|-------|--------------------------|-------|
| | | | | MILLIMETERS(±2 mm) | | | INCHES (±1/16 in) | | | BATTERY ONLY | | INCLUDE ACID AND PACKAGE | |
| | | | | L | W | H | L | W | H | Kg | Lbs | Kg | Lbs |
| CTX20CH-BS | 12 | 18 | 270 | 150 | 87 | 161 | 5 7/8 | 3 7/16 | 6 5/16 | 4.69 | 10.33 | 6.30 | 13.88 |

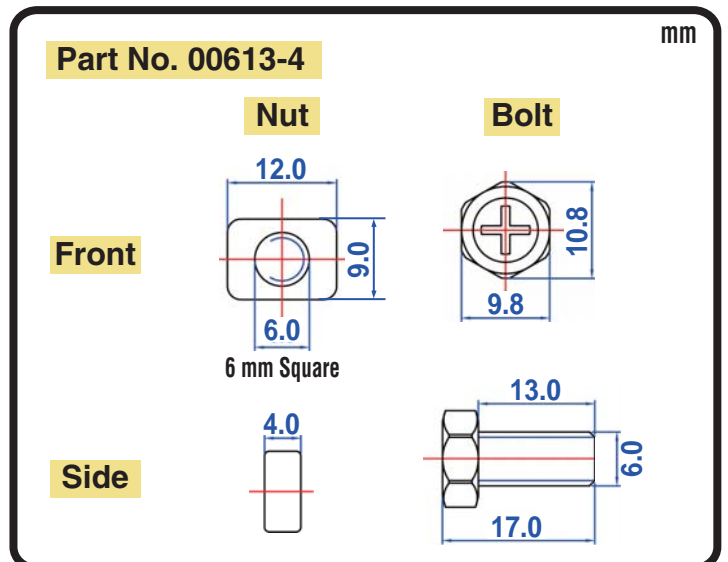
Dimension



Terminal Configuration



Nut & Bolt Hardware Kits



CORPORATE HEADQUARTERS (TAICHUNG, TAIWAN)

4F-5, No. 925, Sec. 4, Taiwan Blvd., Taichung, 40767 Taiwan, R.O.C.
Tel : 886-4-2358-0578 Fax : 886-4-2358-0059
sales@yacht-battery.com

YACHT BATTERY USA, INC.

Tel : 1-610-689-0443 Fax : 1-888-373-6466
Dave.Beidler@yacht-battery.com
Bruce.Ash@yacht-battery.com